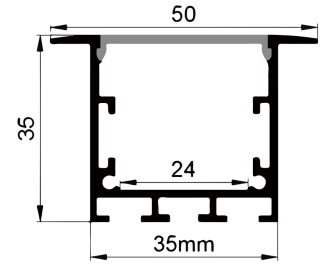
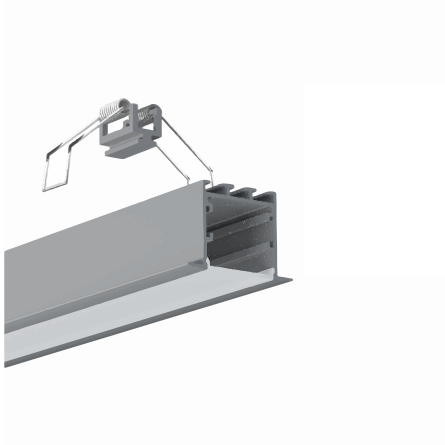


LINEAR LIGHT LLT 5035R

Recessed Linear Light

Lightronic



Product Description

"Illuminate your space with our sleek and modern 50x35 linear surface mounted linear light. With its minimalist design and efficient LED technology, this fixture delivers powerful and even illumination, perfect for enhancing any residential or commercial environment. Its surface-mounted installation ensures easy setup and versatility, making it ideal for a wide range of applications, from offices and conference rooms to kitchens and living areas. Experience the perfect blend of style and functionality with our 50x35 linear surface mounted linear light."

Lamp

Light Source	: Tridonic LLE Module
CRI	: >85
Rated Life	: 50,000 HRs
Wattage	: 26 w/m
Beam Angle	: 110°
CCT	: 2700K 3000K 4000K 6500K

Body

Color	: White Black Silver
Material	: Aluminum
Length (L)	: 1120 MM
Width (W)	: 50 MM
Height (H)	: 35 MM

Body color and size customization available

Electric

Control Gear	: TRIDONIC 
Input Voltage	: 220 - 240V/50-60Hz
Luminaire Efficacy	: 140 lm/W
Output Current	: Constant Current
Output Voltage	: SELV

Other

Protection	: IP20
------------	--------

Options

Dimmable Option	: 0/1 - 10V Dali Wireless
Emergency Backup	: Battery Backup CBS AC/DC

LINEAR LIGHT LLT 5035R

Recessed Linear Light



Hall | Residence | School | Colleges

