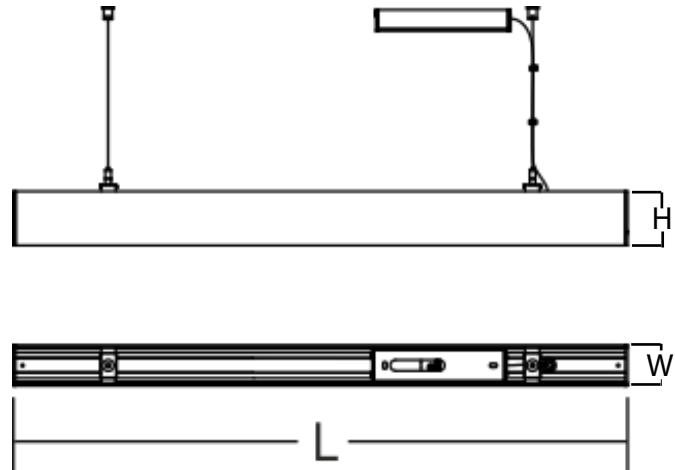
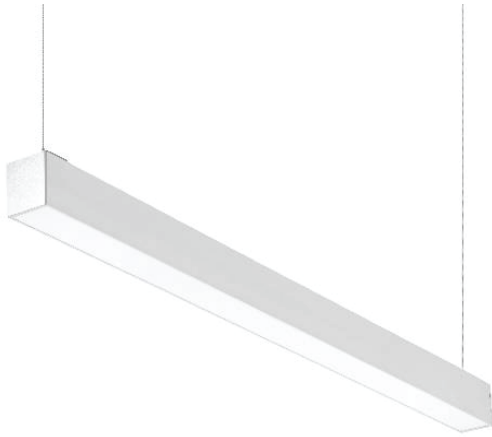


LINEAR LIGHT 5075

SURFACE/SUSPENDED Linear LED

Lightronic



Product Description

This product is a high-quality lighting fixture with a body finish available in white, black, and silver. The diffuser is made of durable polycarbonate. The housing is available in anodized aluminium and a powder-coated matt black finish, with other finishes available upon request. It features a high lumen output TRIDONIC SMD LED Module operating at 220-240VAC with a built-in isolated TRIDONIC LED driver. The light distribution is flexible, with options for 100% light downwards, or a combination of 70% downwards and 30% upwards. It comes with a suspension kit and can be mounted on the ceiling surface. The product also offers the capability to be connected one by one with fitting accessories. It provides three color temperature options: 3000K, 4000K, and 6500K. The product comes with a 5-year warranty and has a lifetime of 50,000 hours under L70 conditions.


Lamp

Light Source	: Tridonic LLE Module
CRI	: >80
Rated Life	: 50,000 HRs
Wattage	: 18w/m - 36w/m
Beam Angle	: 110°
CCT	: 2700K 3000K 4000K 6500K

Body

Colour	: White Black Silver
Material	: Aluminum
18W - L-W-H	: 560 - 50 - 75 MM
36W - L-W-H	: 1120 - 50 - 75 MM
Body Colour and Size customization available	

Electric

Control Gear	: TRIDONIC  PHILIPS
Voltage	: 220 - 240V/50-60Hz
Luminaire Efficacy	: 180 lm/W
Output Current	: Constant Current
Output Voltage	: SELV

Other

Protection	: IP20
------------	--------

Options

Dimmable Option	: Triac 0/1 - 10V Dali
	Wireless
Emergency Backup	: Battery Backup

LINEAR LIGHT 5075

Application Picture



Hall | Residence | School | Colleges

