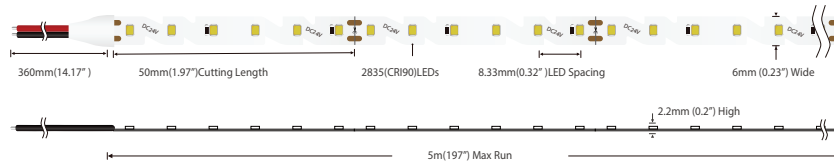


RIBBON ZIG ZAG 4.8W

Led Strip Light

IP20



Product Description

This flexible LED strip light features a zig-zag design that allows for easy bending and shaping around corners or curved surfaces. It operates on a DC24V system with a power consumption of 4.8W/M, utilizing 120 LEDs per meter to ensure consistent light distribution. The strip is 6 mm wide and provides a high color rendering index of CRI 90, making it ideal for precision architectural accents. With a cut point every 50 mm, the strip offers high versatility for custom length installations in dry indoor environments rated at IP20. We offer this solution with multiple dimming options, including Triac, 0/1-10V, and Dali, across a wide range of color temperatures from 2700K to 6000K.

Lamp

Power : 4.8W/M

CRI : 90

Rated Life : 20,000 Hrs

CCT : 2700K|3000K|4000K|5000K|6000K

Led Qty : 120LEDs/M

Electric

Voltage : DC24V

Lumen

2700K : 430lm

3000K : 450lm

4000K : 470lm

5000K : 470lm

Dimensions

Width : 6 mm

Length : 5000 mm

Distance between 2 LED : 8.33 mm

Cut Point : 50 mm

Other

Protection : IP20

Options

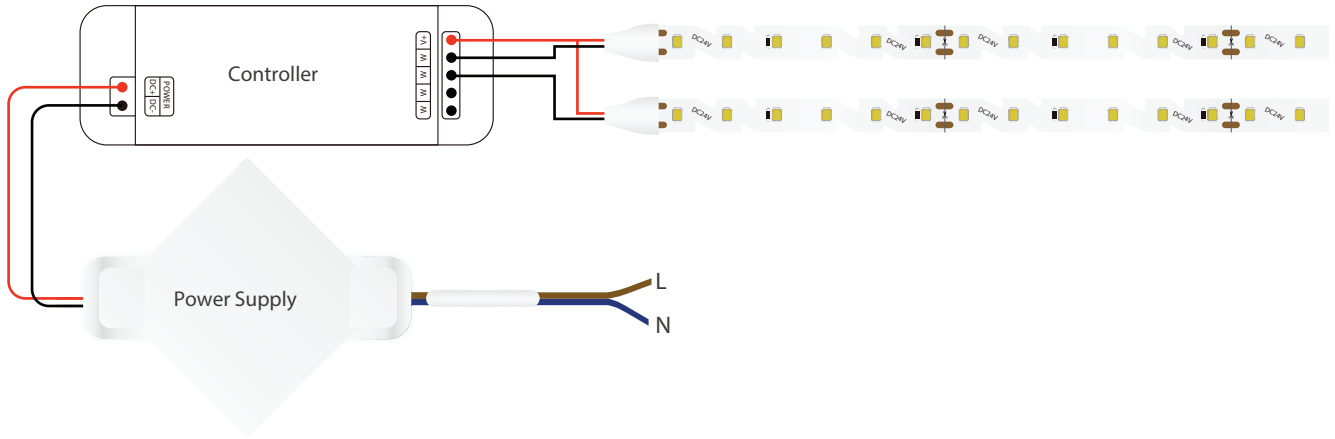
Dimmable Option : Triac | 0/1 - 10V | Dali

RIBBON ZIG ZAG 4.8W

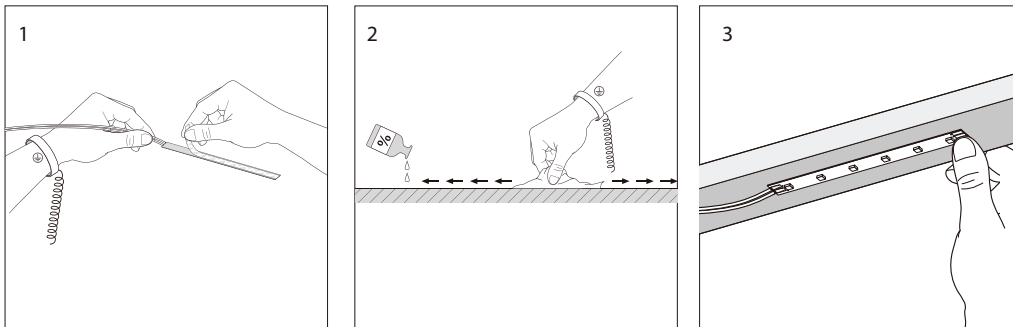
Led Strip Light

IP20

POWER CONNECTION DIAGRAM

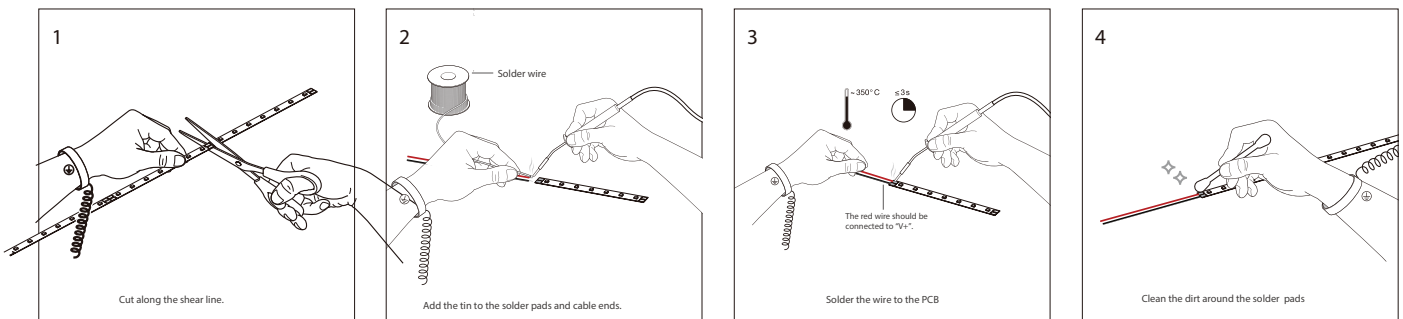


INSTALLATION



Clean the environment part to be attached with a cloth, as shown in Figure 1, and then tear off the 3M tape on the back of the light belt, and finally stick the light belt on the clean place.

CUTTING



RIBBON ZIG ZAG 4.8W

Led Strip Light

Lightronic[®]

IP20

